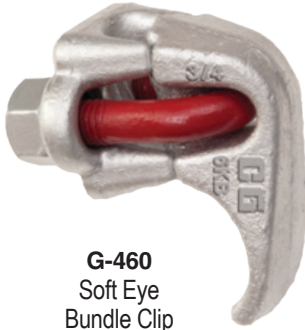
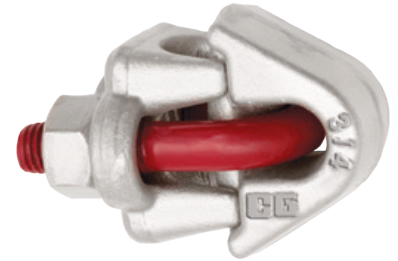


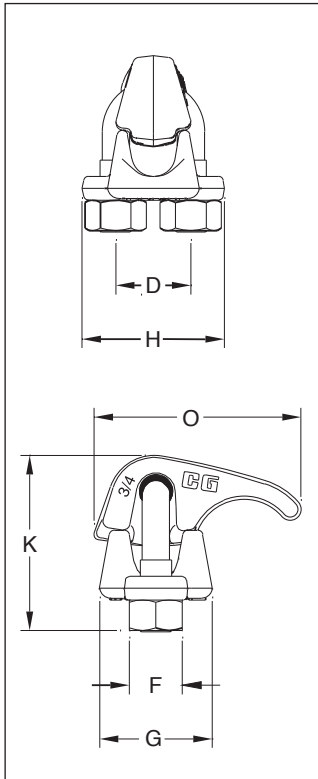
Crosby Bundle Clip



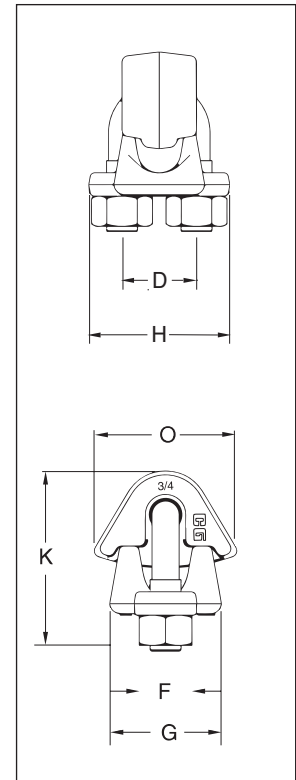
G-460
Soft Eye
Bundle Clip
(For use without Thimble)



G-461
Thimble
Eye Bundle Clip



- Each base and Bundle Clip adapter has a Product Identification Code (PIC) for material tracability, the name Crosby or CG, and a size forged into it.
- Entire clip galvanized to resist corrosive and rusting action.
- Forged bases and bundle clip adapters.
- All bundle clips are individually bagged or tagged with proper application instructions and warning information.
- Clips have rolled threads.
- Bundle Clip Adapter for Soft Eye (G4460) and for Thimble Eye (G4461) kits available.
- Look for the Red-U-Bolt, your assurance of Genuine Crosby Products.
- Meets or exceeds all requirements of ASME B30.26 including manufacturing I.D. and size requirements. Importantly, these wire rope bundle clips meet material traceability not addressed by ASME B30.26.



Rigging
Accessories

G-460 Soft Eye / G-461 Thimble Eye Bundle Clip

Rope Size		Bundle Clip Style	Stock No.	Dimensions (in)						Weight each (lb)
(in)	(mm)			D	F	G	H	K	O	
3/4	18-20	G460	1010509	1.50	1.06	2.25	2.84	3.50	4.13	2.5
3/4	18-20	G461	1010619	1.50	1.06	2.25	2.84	3.50	2.85	2.5